

Tool details incl. cutting conditions

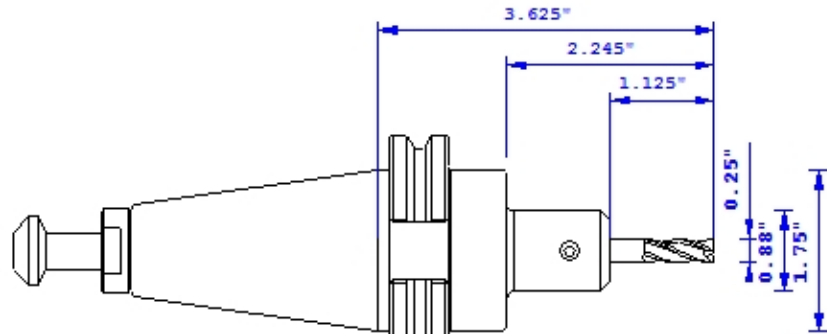
420084

ENDMILL .25000 HANITA CBD
 1/4" 4 FL CC END MILL
 CBD TiN

Machine type

CAT40

212- END MILL FINISHING



Diameter	0.25
Cutting length	0.75
Radius	0
Main arc	180
Length	3.625
Width	0
Collision length (Lx)	1.125
Collision Dia	0.035
Cutting width	0
Side angle	0
Weight	0.1
Price	0

Recorded
 Changed

4/9/2007

RCState edit
 User Admin

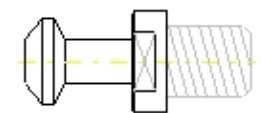
Description / Type

Design / Item No / Product Code / Storage Location

1 CAT RETENTION KNOB

10016

40RK-099-45



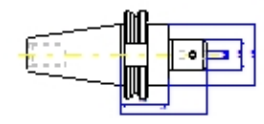
1 PARLEC 1/4 ENDMILL HOLDER

10018

WELDON

.25 DIAMETER

C4025EM2



1 ENDMILL .25000 HANITA CBD

10078

1/4" 4 FL CC END MILL

420507002

CBD TiN

TT420507002

